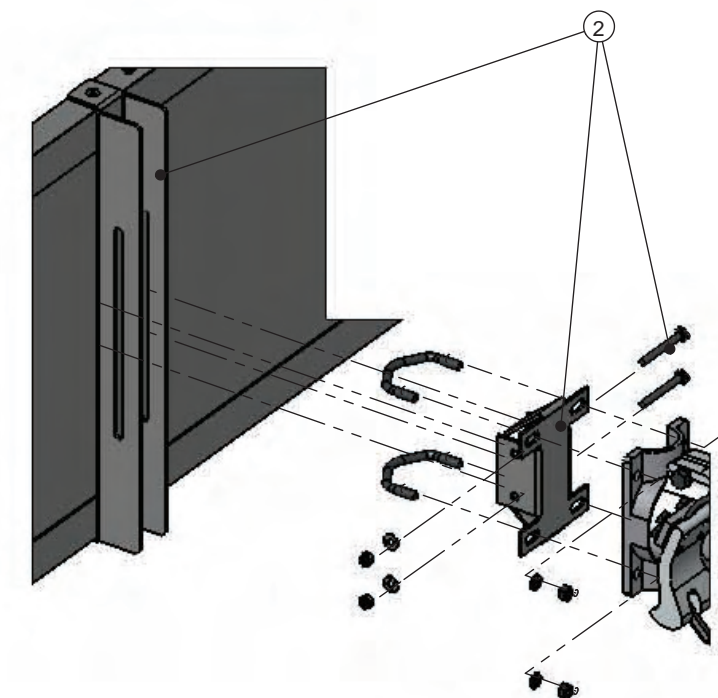
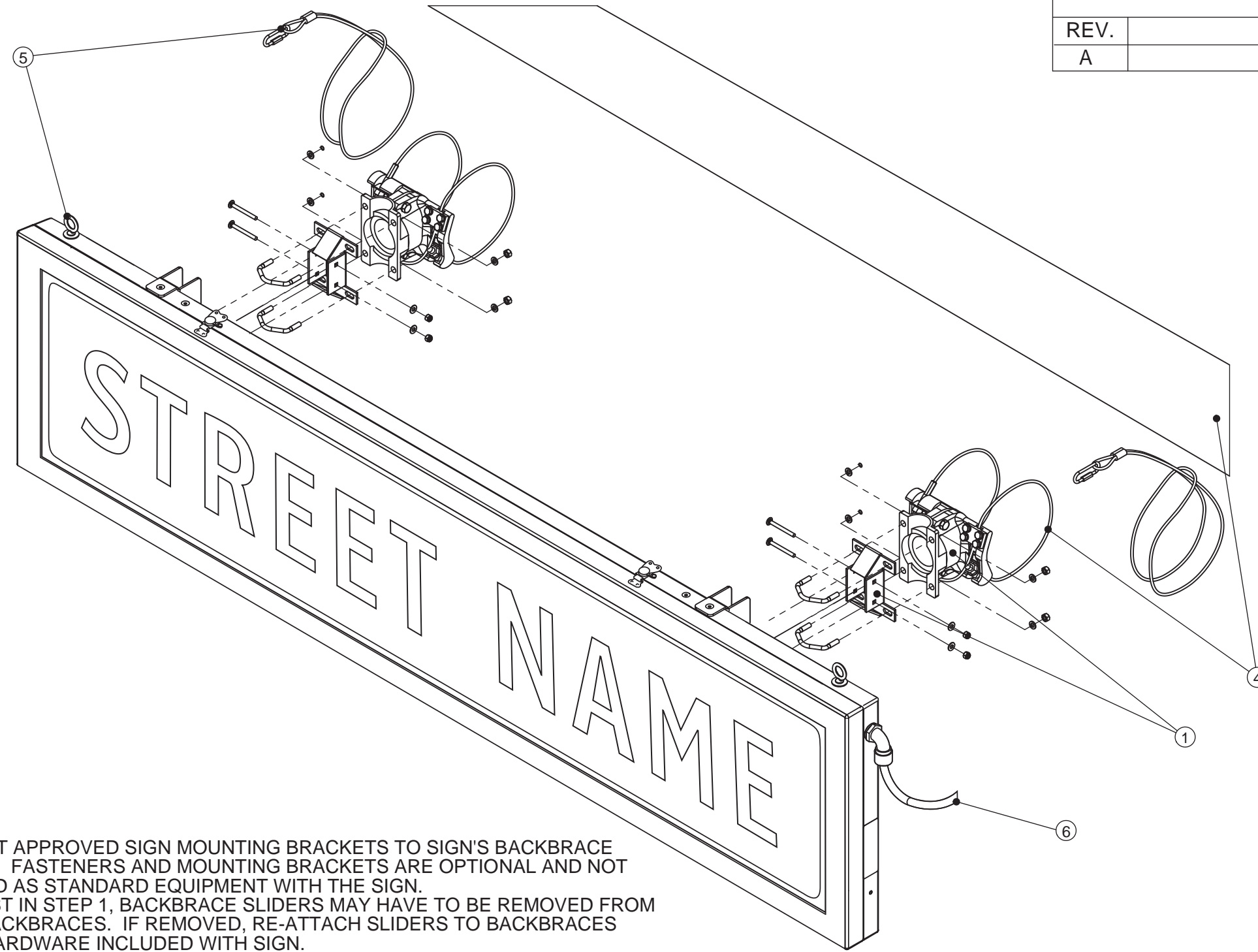


REVISIONS

REV.	DESCRIPTION	DATE	APPROVED
A	INITIAL RELEASE	03/16/2011	ASB



REAR DETAIL VIEW

INSTALLATION:

- CONNECT APPROVED SIGN MOUNTING BRACKETS TO SIGN'S BACKBRACE SLIDERS. FASTENERS AND MOUNTING BRACKETS ARE OPTIONAL AND NOT SUPPLIED AS STANDARD EQUIPMENT WITH THE SIGN.
- TO ASSIST IN STEP 1, BACKBRACE SLIDERS MAY HAVE TO BE REMOVED FROM THEIR BACKBRACES. IF REMOVED, RE-ATTACH SLIDERS TO BACKBRACES USING HARDWARE INCLUDED WITH SIGN.
- APPROVED BRACKETS, SUCH AS PELCO AS-3004 OR AS-3009 **MUST** BE ORIENTED AS SHOWN.
- RIGIDLY ATTACH MOUNTING BRACKET TO MAST ARM, USING EITHER THE BANDING OR CABLING PROVIDED WITH THE MOUNTING BRACKET.
- TEMPLE RECOMMENDS 2 SAFETY CABLES, ONE FOR EACH END. SAFETY CABLES ARE OPTIONAL AND NOT PROVIDED AS STANDARD EQUIPMENT.** LOOP SAFETY CABLE OVER MAST ARM, THROUGH ITSELF, AND THEN PERMANENTLY ATTACH IT TO PROVIDED EYEBOLT.
- CONNECT ELECTRICAL TERMINATIONS USING LOCALLY-APPROVED METHODS:  
 BLACK: LINE VOLTAGE, 120-240VAC, 50/60Hz  
 WHITE: NEUTRAL  
 GREEN: GROUND

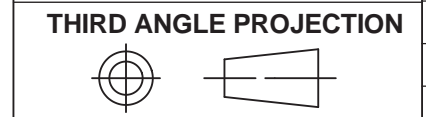
NOTES: **LOCAL AUTHORITIES ARE RESPONSIBLE FOR THE TRAFFIC SYSTEM DESIGN, TAKING INTO ACCOUNT LOCAL ENVIRONMENTAL AND WIND LOADING CONDITIONS.** TYPICAL MOUNTING CONFIGURATION INVOLVING PELCO AS-3004 OR AS-3009 SIGN MOUNTING BRACKETS SHOWN ABOVE (OTHERS POSSIBLE). ELECTRICAL CONNECTIONS NOT SHOWN FOR CLARITY.

UNLESS OTHERWISE SPECIFIED  
DO NOT SCALE DRAWING

INTERPRET DIMENSIONS AND TOLERANCES PER ASME Y14.100-2000  
TOLERANCES APPLY AS SHOWN BELOW

DECIMALS	SURF FNISH	ANGLES
.X ±.1		±1°
.XX ±.01		
.XXX ±.005		
.XXXX ±.0005		

INCHES



PDM MAINTAINED DATA  
CHANGES SHALL BE INCORPORATED ELECTRONICALLY BY THE DESIGN AUTHORITY

PROPRIETARY  
COPYRIGHT © 2011 BY Temple, Inc., Decatur, Alabama  
ALL RIGHTS RESERVED. NO PART OF THIS DOCUMENT MAY BE REPRODUCED STORED IN A RETRIEVAL SYSTEM, OR TRANSMITTED IN ANY FORM, WITHOUT THE WRITTEN PERMISSION OF TEMPLE, INCORPORATED.

DESIGNED BY Temple, Inc.	DATE 16-Mar-2011
DRAWN BY A. Baker	DATE 18-Mar-2011
APPROVED	DATE



P.O. Box 2066 Decatur, AL 35602 Tel: 1.800.633.3221 / Fax: 1.256.353.4578

SIZE **B**

SCALE **1:9**

TITLE:  
Temple Edge-Lit Internally-Illuminated LED Sign RIGID MOUNT INSTALLATION INSTRUCTIONS

DRAWING NO <b>53022</b>	REVISION <b>A</b>
CAD REFERENCE	SHEET <b>1 OF 1</b>