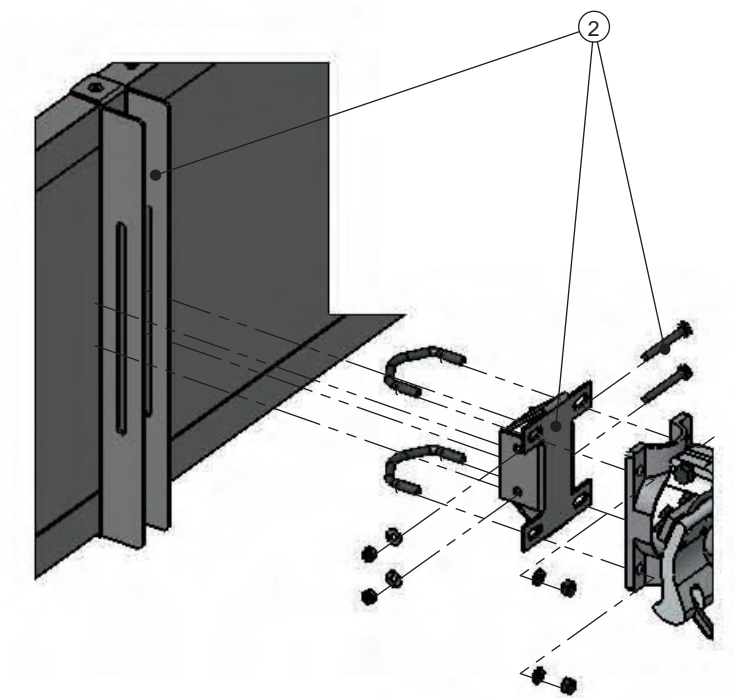
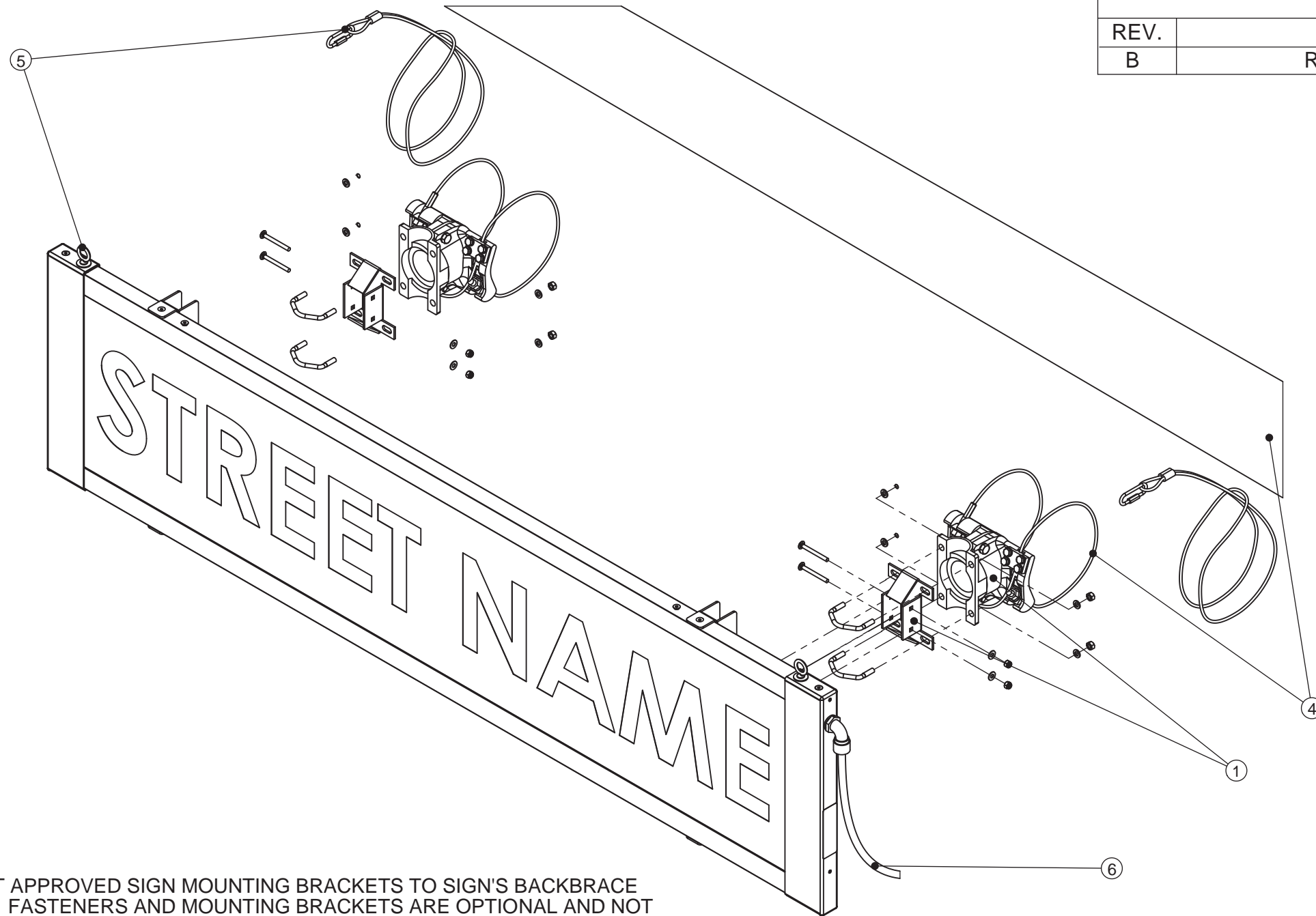


REVISIONS

REV.	DESCRIPTION	DATE	APPROVED
B	REVISED RELEASE	03/18/2009	AJL



REAR DETAIL VIEW

INSTALLATION:

- CONNECT APPROVED SIGN MOUNTING BRACKETS TO SIGN'S BACKBRACE SLIDERS. FASTENERS AND MOUNTING BRACKETS ARE OPTIONAL AND NOT SUPPLIED AS STANDARD EQUIPMENT WITH THE SIGN.
- TO ASSIST IN STEP 1, BACKBRACE SLIDERS MAY HAVE TO BE REMOVED FROM THEIR BACKBRACES. IF REMOVED, RE-ATTACH SLIDERS TO BACKBRACES USING HARDWARE INCLUDED WITH SIGN.
- APPROVED BRACKETS, SUCH AS PELCO AS-3004 OR AS-3009 **MUST** BE ORIENTED AS SHOWN.
- RIGIDLY ATTACH MOUNTING BRACKET TO MAST ARM, USING EITHER THE BANDING OR CABLING PROVIDED WITH THE MOUNTING BRACKET.
- TEMPLE RECOMMENDS 2 SAFETY CABLES, ONE FOR EACH END. SAFETY CABLES ARE OPTIONAL AND NOT PROVIDED AS STANDARD EQUIPMENT.** LOOP SAFETY CABLE OVER MAST ARM, THROUGH ITSELF, AND THEN PERMANENTLY ATTACH IT TO PROVIDED EYEBOLT.
- CONNECT ELECTRICAL TERMINATIONS USING LOCALLY-APPROVED METHODS:
 BLACK: LINE VOLTAGE, 120-240VAC, 50/60Hz
 WHITE: NEUTRAL
 GREEN: GROUND

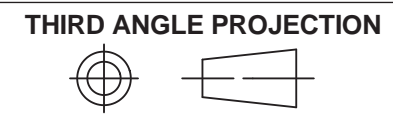
NOTES: **LOCAL AUTHORITIES ARE RESPONSIBLE FOR THE TRAFFIC SYSTEM DESIGN, TAKING INTO ACCOUNT LOCAL ENVIRONMENTAL AND WIND LOADING CONDITIONS.** TYPICAL MOUNTING CONFIGURATION INVOLVING PELCO AS-3004 OR AS-3009 SIGN MOUNTING BRACKETS SHOWN ABOVE (OTHERS POSSIBLE). ELECTRICAL CONNECTIONS NOT SHOWN FOR CLARITY.

UNLESS OTHERWISE SPECIFIED
DO NOT SCALE DRAWING

INTERPRET DIMENSIONS AND TOLERANCES PER ASME Y14.100-2000
TOLERANCES APPLY AS SHOWN BELOW

DECIMALS	SURF FNISH	ANGLES
.X ±.1		63° ±1°
.XX ±.01		
.XXX ±.005		
.XXXX ±.0005		

INCHES



PDM MAINTAINED DATA
CHANGES SHALL BE INCORPORATED ELECTRONICALLY BY THE DESIGN AUTHORITY

PROPRIETARY
COPYRIGHT © 2011 BY Temple, Inc., Decatur, Alabama
ALL RIGHTS RESERVED. NO PART OF THIS DOCUMENT MAY BE REPRODUCED STORED IN A RETRIEVAL SYSTEM, OR TRANSMITTED IN ANY FORM, WITHOUT THE WRITTEN PERMISSION OF TEMPLE, INCORPORATED.

DESIGNED BY Temple, Inc. DATE 18-Mar-2009
 DRAWN BY Temple, Inc. DATE 18-Mar-2009
 APPROVED DATE



TITLE:
Temple Edge-Lit Internally-Illuminated LED Sign RIGID MOUNT INSTALLATION INSTRUCTIONS

P.O. Box 2066 Decatur, AL 35602 Tel: 1.800.633.3221 / Fax: 1.256.353.4578

SIZE B	DRAWING NO 53021	REVISION B
SCALE 1:9	CAD REFERENCE 53021.SLDASM	SHEET 1 OF 1